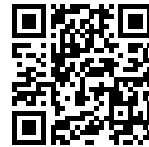


## OP GUN METAL satin

Mixer Taps

Code: 8499 106



### DETAILS

Mixer type Single-lever mixer tap with rotating, collapsible barrel (Up&Down), with remote control.

Material Brass

Coloring Gun Metal

Texture Satin

Rotating angle 360°

Strengthening plate Ø44 mm

Cartridge With ceramic discs

Holes distance See "Cut out drawing"

Double hole requested Necessary

Mixer hole  $\varnothing$ 35mm

---

Max worktop thickness 40mm

---

## FEATURES

**COLLAPSIBILE BARREL** Feature that makes it possible to foresee the sink in front of a window, so as to enjoy the natural light.

---

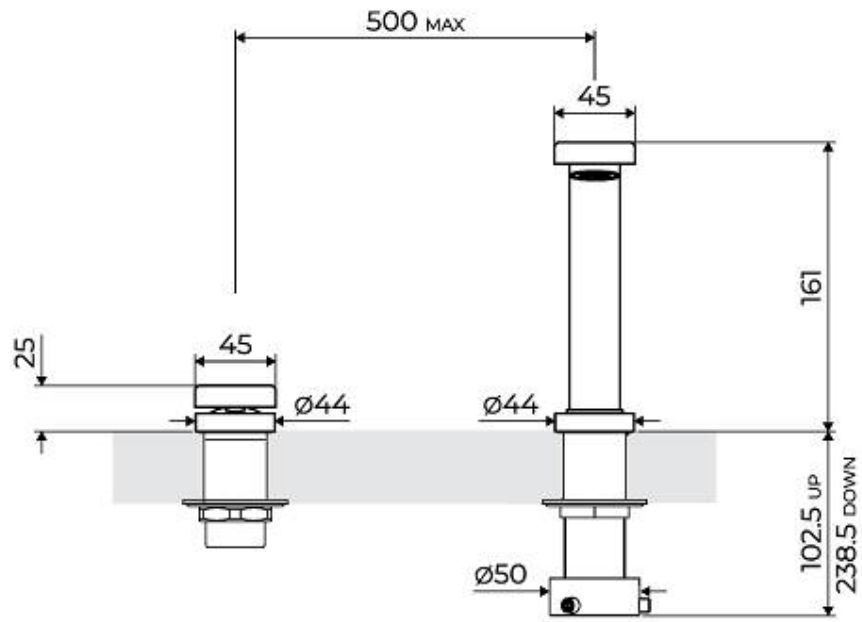
**Strengthening plate** Foster's mixer taps are equipped with the strengthening plate that offers perfect stability on any sink.

---

**Rotating angle** All the taps have a wide angle of rotation. Some models even permit a full 360° rotation.

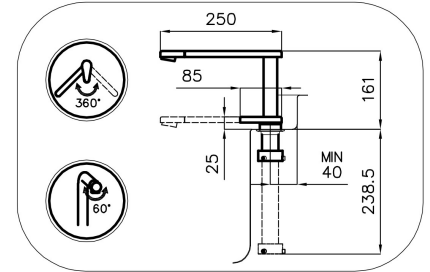
---

## TECHNICAL DATA

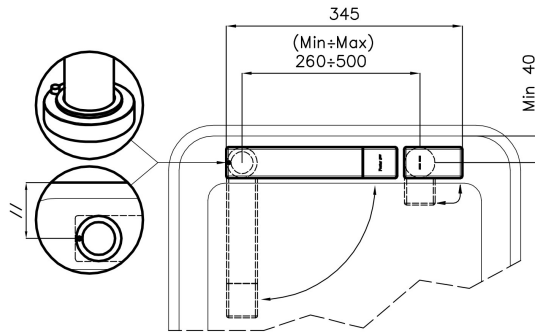


## Eclipse - 8499 000

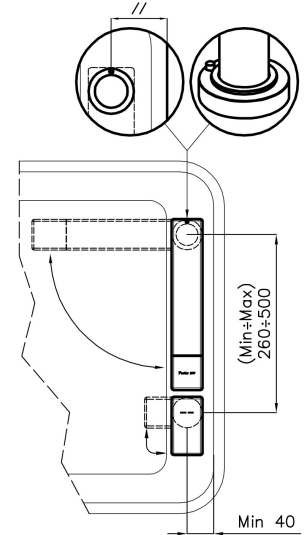
### Installation sheet - Foglio installazione



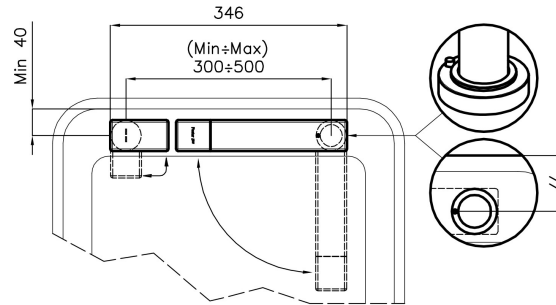
Front side—Mixer tap on the left  
 Lato frontale—Miscelatore a sinistra



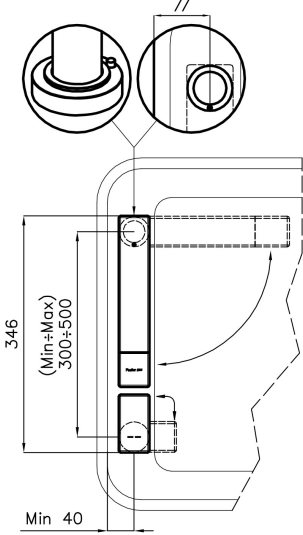
Right side  
 Lato destro



Front side—Mixer tap on the right  
 Lato frontale—Miscelatore a destra



Left side  
 Lato sinistro



## GALLERY

